


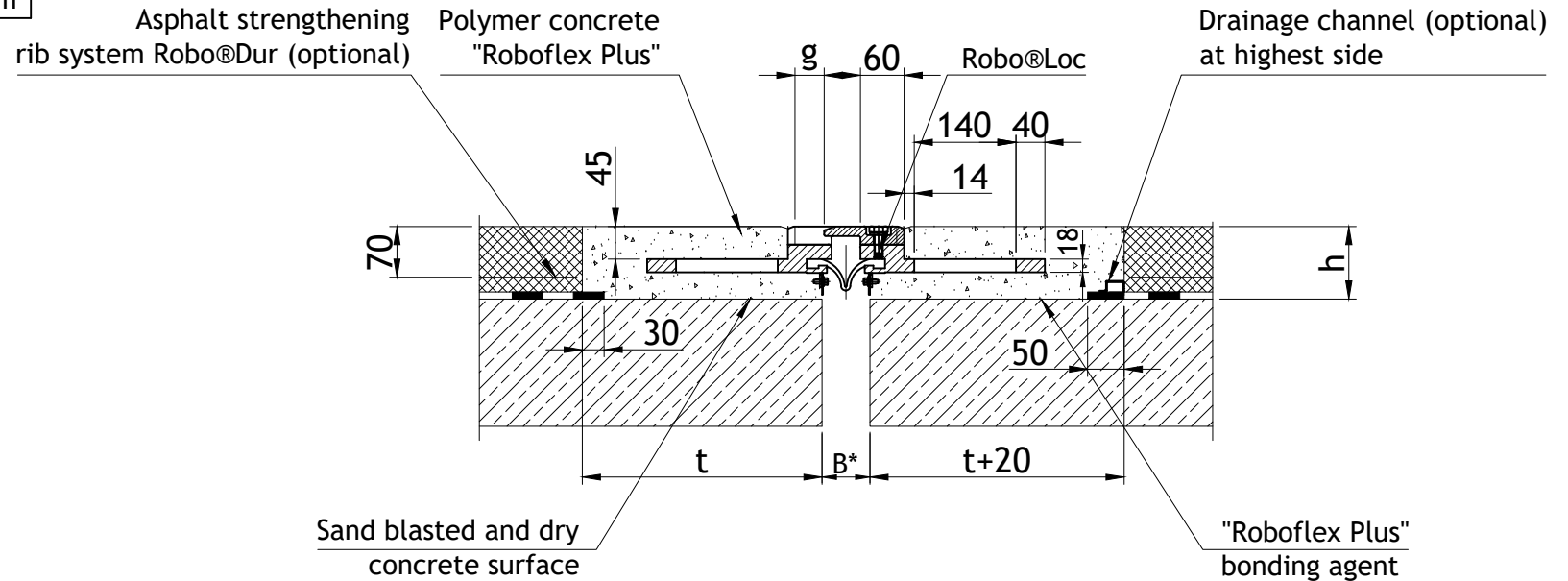
	Fully closed	Middle position	Fully open
g	5mm	50mm	100mm
B	30mm	75mm	125mm

Optional:   
Rubber seal with hump

**Legend:**

B Bridge gap  
h Block out height  
g Expansion joint gap

\* Recommended values for  
Minimum B=g  
Maximum B=g+40mm



Installation height h [mm]	100	110	120	Minimum adhesive tensile strength of the concrete substructure 1.5 N/mm <sup>2</sup> !
Block out width (each side) t [mm]	330	360	390	

**Corrosion Protection (recommendation mageba) \*\***

**General:**

Hot dip galvanising acc. EN ISO 1461 with a target thickness of 140mm,  
corrosivity category C5 acc. EN ISO 14713-1, provide a durability class VH (Very high)

\*\*C5M, C4, with durability class H (high) also possible as paint system.