


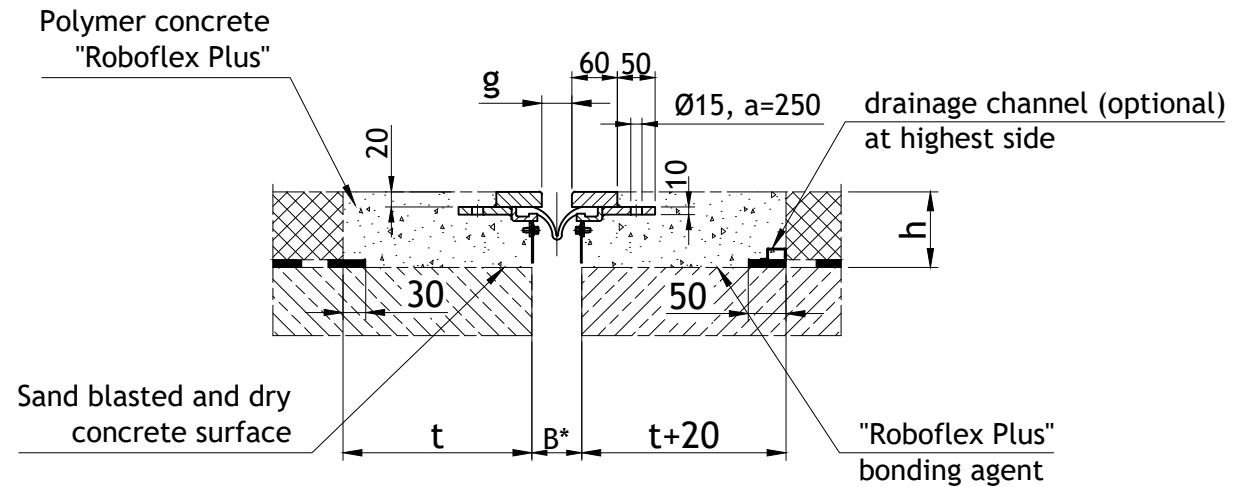
Optional: 
Rubber seal with hump

	Fully closed	Middle position	Fully open
g	0mm	40mm	80mm
B	25mm	65mm	105mm

Legend:

- B Bridge gap
- h Block out height
- g Expansion joint gap

* Recommended value for B
Minimum B=g
Maximum B=g+40mm



Installation height h [mm]	80	100	120
Block out width (each side) t [mm]	200	250	300

Minimum adhesive tensile strength of the concrete substructure 1.5 N/mm²!

Corrosion Protection (recommendation mageba) **

General:

Hot dip galvanising acc. EN ISO 1461 with a target thickness of 140mm,
corrosivity category C5 acc. EN ISO 14713-1, provide a durability class VH (Very high)

**C5M, C4, with durability class H (high) also possible as paint system.