



mageba - Topflager (nach EN 1337) - fest  
 Typ TF 1 - TF 10 ohne Ankerplatten  
 mageba - Pot bearing (pr EN 1337) - fixed  
 Type TF 1 - TF 10 without anchorage plate

**ANGEWANDTE NORM / APPLIED STANDARD**

Konstruktive Ausführung gemäss: / Design according to: (pr) EN 1337  
 Lasten nach: / Loads according to: ENV 1991-3 / EC 1

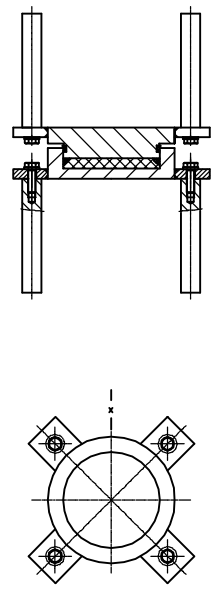
**MAX. MÖGLICHE BEWEGUNG / MAX. POSSIBLE MOVEMENT**

Ohne Bewegungszuschläge nach: / Exclusive of increased movement according to: EN 1337-1  
 Verdrehung / Rotation  $\alpha = \pm 13 \text{ }^\circ$

**mageba sa**

Solistrasse 68 - 8180 Bülach - Schweiz  
 Tel. +41-44-872 40 50 / Fax +41-44-872 40 59  
 mageba@mageba.ch - www.mageba.ch

TF 1

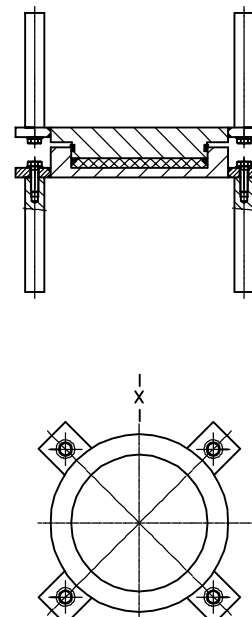


Topf/ Pot

**MÖGLICHE LASTFÄLLE / POSSIBLE LOADING CASES**

|             |                                  |                                 |                                  |                                 |
|-------------|----------------------------------|---------------------------------|----------------------------------|---------------------------------|
| LF / LC : A | Vertikallast / Vertical load     | $N_{Rd,max} = 852 \text{ kN}$   | Vertikallast / Vertical load     | $N_{Rd,min} = 323 \text{ kN}$   |
|             | Horizontallast / Horizontal load | $V_{y,Rd,max} = 280 \text{ kN}$ | Horizontallast / Horizontal load | $V_{y,Rd,max} = 280 \text{ kN}$ |

TF 2

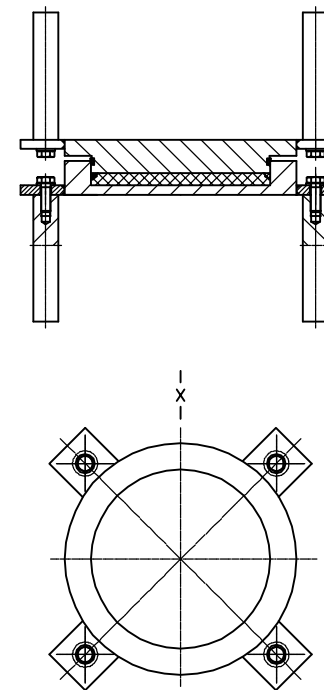


Topf/ Pot

**MÖGLICHE LASTFÄLLE / POSSIBLE LOADING CASES**

|             |                                  |                                 |                                  |                                 |
|-------------|----------------------------------|---------------------------------|----------------------------------|---------------------------------|
| LF / LC : A | Vertikallast / Vertical load     | $N_{Rd,max} = 1706 \text{ kN}$  | Vertikallast / Vertical load     | $N_{Rd,min} = 683 \text{ kN}$   |
|             | Horizontallast / Horizontal load | $V_{y,Rd,max} = 460 \text{ kN}$ | Horizontallast / Horizontal load | $V_{y,Rd,max} = 460 \text{ kN}$ |

TF 3

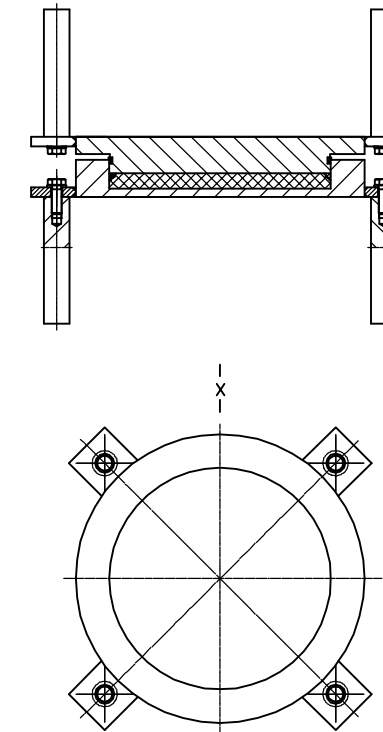


Topf/ Pot

**MÖGLICHE LASTFÄLLE / POSSIBLE LOADING CASES**

|             |                                  |                                 |                                  |                                 |
|-------------|----------------------------------|---------------------------------|----------------------------------|---------------------------------|
| LF / LC : A | Vertikallast / Vertical load     | $N_{Rd,max} = 2935 \text{ kN}$  | Vertikallast / Vertical load     | $N_{Rd,min} = 976 \text{ kN}$   |
|             | Horizontallast / Horizontal load | $V_{y,Rd,max} = 705 \text{ kN}$ | Horizontallast / Horizontal load | $V_{y,Rd,max} = 705 \text{ kN}$ |

TF 4

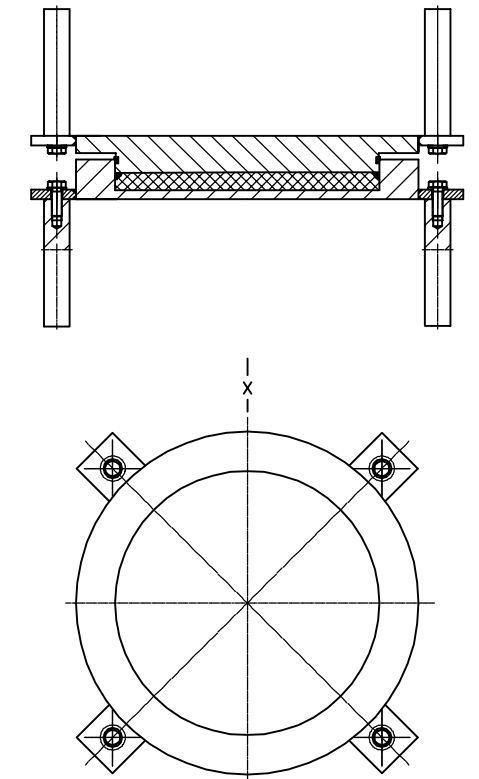


Topf/ Pot

**MÖGLICHE LASTFÄLLE / POSSIBLE LOADING CASES**

|             |                                  |                                  |                                  |                                  |
|-------------|----------------------------------|----------------------------------|----------------------------------|----------------------------------|
| LF / LC : A | Vertikallast / Vertical load     | $N_{Rd,max} = 4496 \text{ kN}$   | Vertikallast / Vertical load     | $N_{Rd,min} = 1634 \text{ kN}$   |
|             | Horizontallast / Horizontal load | $V_{y,Rd,max} = 1034 \text{ kN}$ | Horizontallast / Horizontal load | $V_{y,Rd,max} = 1034 \text{ kN}$ |

TF 5

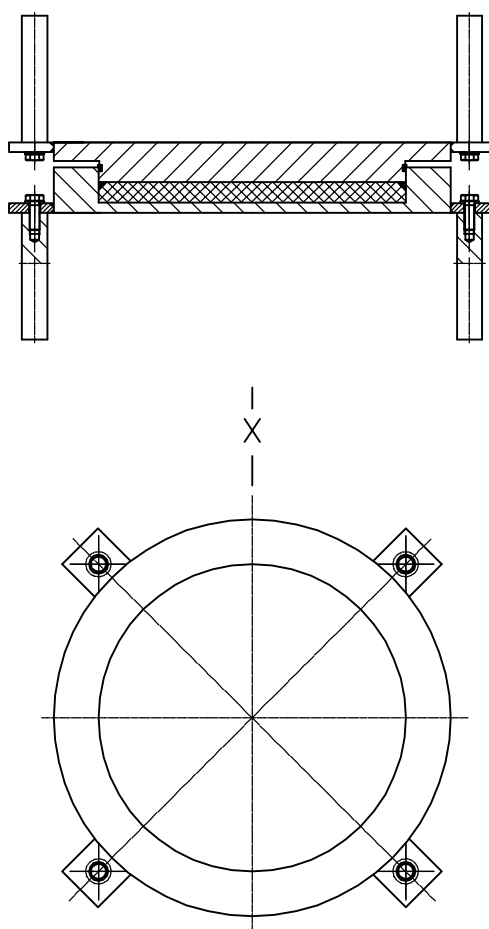


Topf/ Pot

**MÖGLICHE LASTFÄLLE / POSSIBLE LOADING CASES**

|             |                                  |                                  |                                  |                                  |
|-------------|----------------------------------|----------------------------------|----------------------------------|----------------------------------|
| LF / LC : A | Vertikallast / Vertical load     | $N_{Rd,max} = 6388 \text{ kN}$   | Vertikallast / Vertical load     | $N_{Rd,min} = 2060 \text{ kN}$   |
|             | Horizontallast / Horizontal load | $V_{y,Rd,max} = 1247 \text{ kN}$ | Horizontallast / Horizontal load | $V_{y,Rd,max} = 1247 \text{ kN}$ |

TF 6

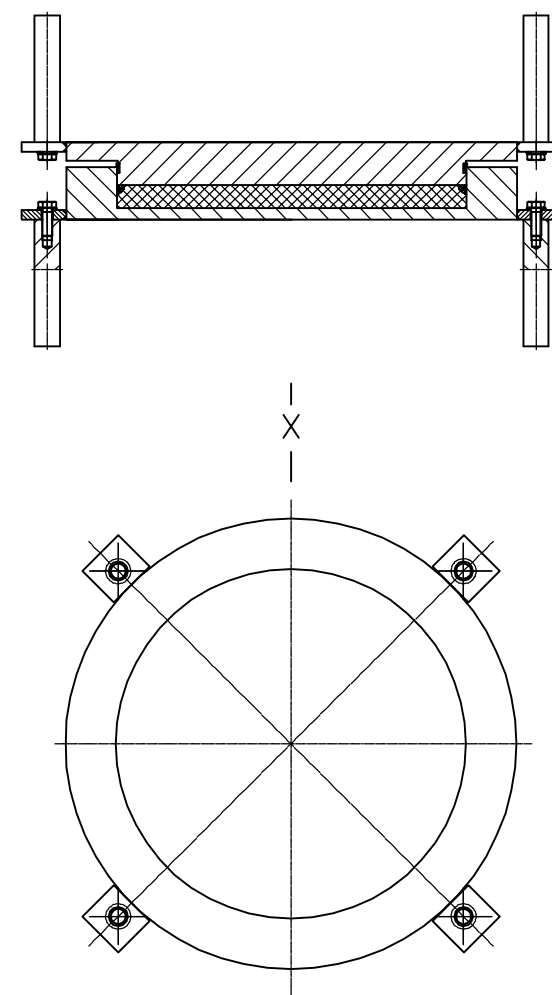


Topf/ Pot

**MÖGLICHE LASTFÄLLE / POSSIBLE LOADING CASES**

|             |                                  |                                  |                                  |                                  |
|-------------|----------------------------------|----------------------------------|----------------------------------|----------------------------------|
| LF / LC : A | Vertikallast / Vertical load     | $N_{Rd,max} = 8647 \text{ kN}$   | Vertikallast / Vertical load     | $N_{Rd,min} = 2678 \text{ kN}$   |
|             | Horizontallast / Horizontal load | $V_{y,Rd,max} = 1556 \text{ kN}$ | Horizontallast / Horizontal load | $V_{y,Rd,max} = 1556 \text{ kN}$ |

TF 7

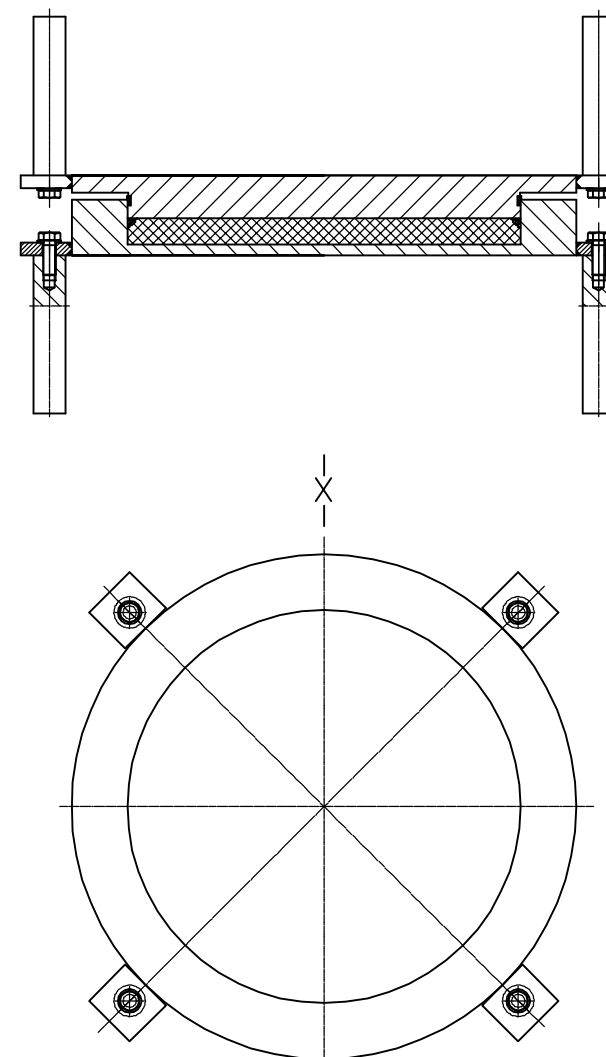


Topf/ Pot

**MÖGLICHE LASTFÄLLE / POSSIBLE LOADING CASES**

|             |                                  |                                  |                                  |                                  |
|-------------|----------------------------------|----------------------------------|----------------------------------|----------------------------------|
| LF / LC : A | Vertikallast / Vertical load     | $N_{Rd,max} = 11207 \text{ kN}$  | Vertikallast / Vertical load     | $N_{Rd,min} = 3376 \text{ kN}$   |
|             | Horizontallast / Horizontal load | $V_{y,Rd,max} = 1905 \text{ kN}$ | Horizontallast / Horizontal load | $V_{y,Rd,max} = 1905 \text{ kN}$ |

TF 8

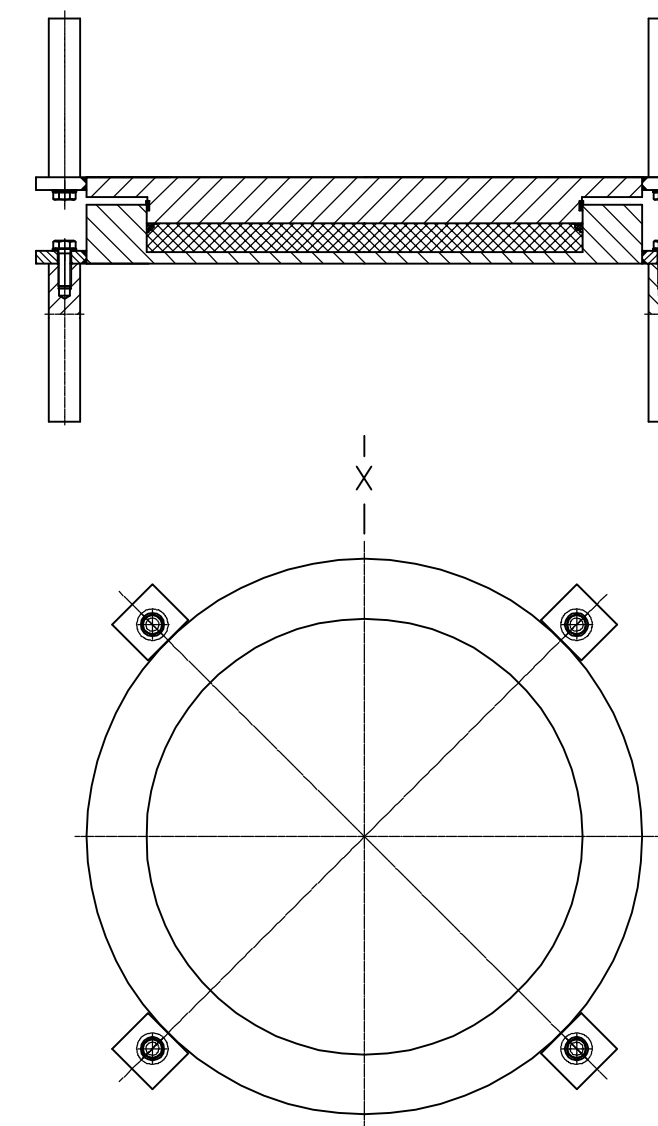


Topf/ Pot

**MÖGLICHE LASTFÄLLE / POSSIBLE LOADING CASES**

|             |                                  |                                  |                                  |                                  |
|-------------|----------------------------------|----------------------------------|----------------------------------|----------------------------------|
| LF / LC : A | Vertikallast / Vertical load     | $N_{Rd,max} = 14143 \text{ kN}$  | Vertikallast / Vertical load     | $N_{Rd,min} = 3878 \text{ kN}$   |
|             | Horizontallast / Horizontal load | $V_{y,Rd,max} = 2263 \text{ kN}$ | Horizontallast / Horizontal load | $V_{y,Rd,max} = 2263 \text{ kN}$ |

TF 9

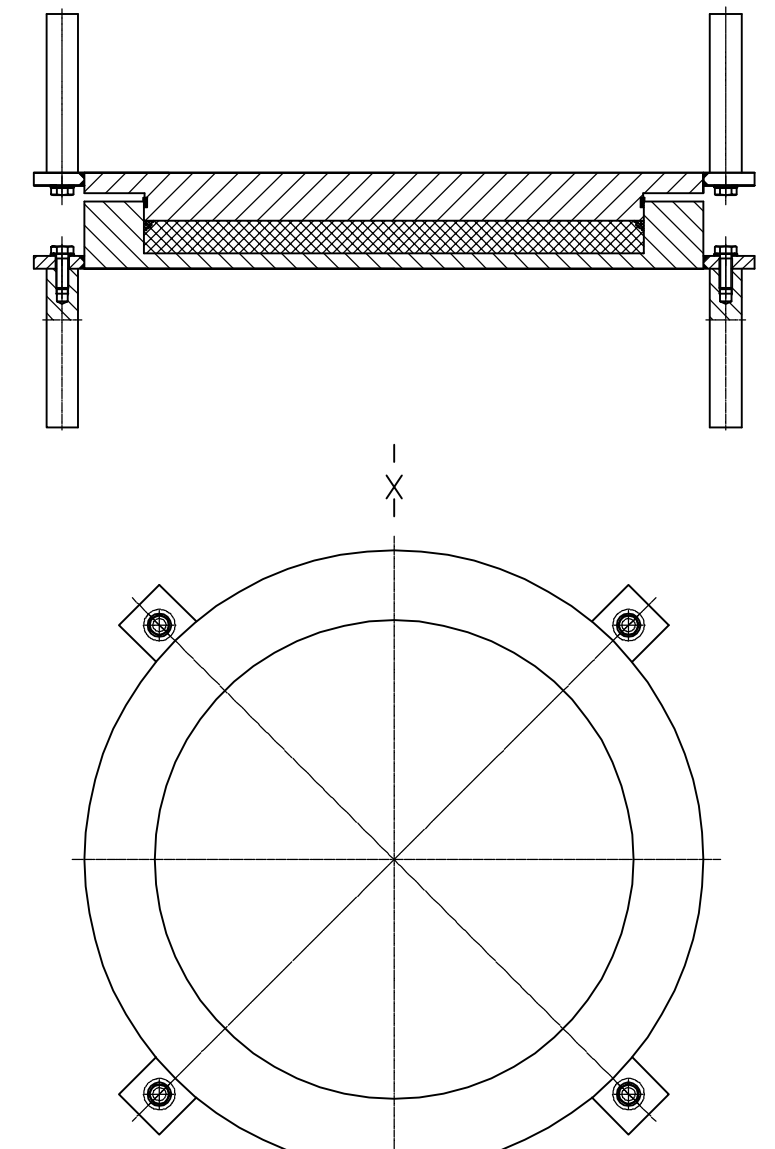


Topf/ Pot

**MÖGLICHE LASTFÄLLE / POSSIBLE LOADING CASES**

|             |                                  |                                  |                                  |                                  |
|-------------|----------------------------------|----------------------------------|----------------------------------|----------------------------------|
| LF / LC : A | Vertikallast / Vertical load     | $N_{Rd,max} = 17422 \text{ kN}$  | Vertikallast / Vertical load     | $N_{Rd,min} = 4404 \text{ kN}$   |
|             | Horizontallast / Horizontal load | $V_{y,Rd,max} = 2526 \text{ kN}$ | Horizontallast / Horizontal load | $V_{y,Rd,max} = 2526 \text{ kN}$ |

TF 10



Topf/ Pot

**MÖGLICHE LASTFÄLLE / POSSIBLE LOADING CASES**

|             |                                  |                                  |                                  |                                  |
|-------------|----------------------------------|----------------------------------|----------------------------------|----------------------------------|
| LF / LC : A | Vertikallast / Vertical load     | $N_{Rd,max} = 20986 \text{ kN}$  | Vertikallast / Vertical load     | $N_{Rd,min} = 5228 \text{ kN}$   |
|             | Horizontallast / Horizontal load | $V_{y,Rd,max} = 2938 \text{ kN}$ | Horizontallast / Horizontal load | $V_{y,Rd,max} = 2938 \text{ kN}$ |