



Seismic devices

Infrastructure | Buildings | Industrial structures

mageba seismic protection devices – for reliable preservation of structures



LASTO®HDRB High Damping Rubber Bearing

adaptable, effective, safe



mageba



Product Features

Principle

mageba LASTO®HDRB high damping rubber bearings work on the principle of base isolation and limit the energy transferred from the ground to the structure in the event of an earthquake. The rubber and steel laminated bearing is designed to support the weight of the structure and to provide post-yield elasticity. Rubber provides the isolation and the re-centering of the bearing after a seismic event, while reaching higher damping of up to 16 %, as compared to only 5 % provided by conventional elastomeric bearings.

Properties

LASTO®HDRB high damping rubber bearings consist of alternate layers of elastomeric material and vulcanized reinforcement steel plates. They provide a high level of damping of up to 16 % since they are made up of a chemically improved rubber compound providing better damping and displacement capacity.

As the reinforcement steel plates are fully embedded in the elastomeric material they are sealed and thus protected against corrosion. The devices are manufactured with the rubber vulcanized to the top and bottom connection plates. The bearings can also be supplied with additional anchor plates, allowing easier replacement of the device in case of maintenance needs.

LASTO®HDRB devices are made from natural rubber (NR) providing a high resistance against mechanical wear.

Application

High damping rubber bearings find wide applications in structures. This is due to their simplicity and the combined isolation and energy dissipation functions in a single compact unit. In terms of seismic protection, this is a crucial aspect to minimizing the seismic energy transfer to the superstructure and limiting the horizontal displacements of the device.

Under normal conditions LASTO®HDRB high damping rubber bearings act as regular elastomeric bearings. Therefore, in cases of

structures with limited space for bearings and seismic protection, all these functions can be combined in a single device.

High damping rubber bearings are one of the most widely used means of seismic isolation in structures and have proven effective in numerous earthquakes worldwide. The system has been researched over the past decades and offers the structural engineer a straight-forward simulation of device response due to simple bi-linear modeling.

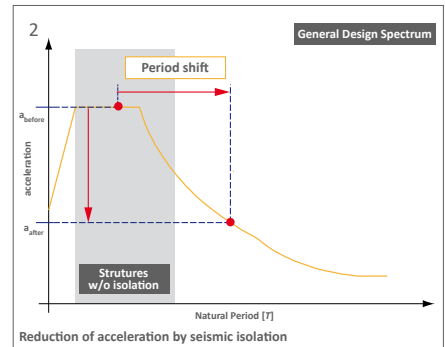
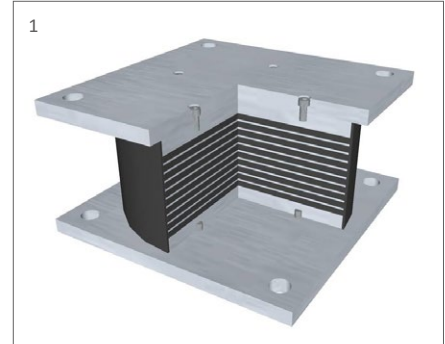
Seismic isolation

Seismic isolation is the decoupling of structures from ground motions induced by earthquakes which could cause damage to the structures. To achieve such decoupling, different seismic devices – known as isolators – are strategically installed in specific locations of structures, allowing them to perform properly during an earthquake.

Seismic isolators provide sufficient flexibility to the structure, so that the natural period of the structure differentiates as much as possible from the natural period of the earthquake. This prevents the occurrence of resonance, which could lead to severe damage or even collapse of a structure.

An effective seismic isolation system shall provide the following main functions:

- Performance under all service loads, vertical and horizontal; shall be as effective as conventional structural bearings
- Provide enough horizontal flexibility in order to reach the target natural period for the isolated structure
- Re-centering capabilities after the occurrence of a severe earthquake so that no residual displacements can disrupt the serviceability of the structure
- Provide an adequate level of energy dissipation in order to control the displacements that could otherwise damage other structural members



- 1 Schematic view of a LASTO®HDRB device
- 2 Principle of seismic isolation – reduction of acceleration by means of period shifting
- 3 LASTO®HDRB devices ready for installation

Properties & Benefits

Materials

The following materials are used for the production of mageba LASTO®HDRB high density rubber bearings:

- Reinforcing plates, the top and bottom plates are made from rolled carbon steel conforming to ASTM A709 Grade 36 and 50
- Natural rubber, type NR, as per ASTM D4014

Anchoring System

LASTO®HDRB devices are equipped with anchor plates to facilitate the connection of the device to the lower and upper concrete structures. Alternatively, the bearings can be prepared for connection to steel structures.

Corrosion Protection

mageba proposes corrosion protection systems based on hot dip galvanizing ASTM A-123 / AASTHO M111, or any applicable painting systems approved by the responsible Department of Transportation (D.O.T.).

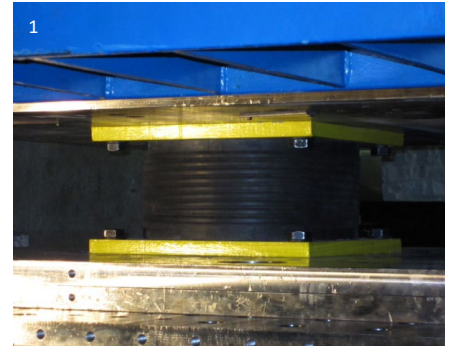
Corrosion protection systems according to other standards can be provided upon request.

Inspection and Maintenance

LASTO®HDRB high density rubber bearings are maintenance free. The condition and position of the bearings should be inspected at regular intervals. Upon request, mageba specialists can carry out such inspections and summarize the results in a detailed report.

Benefits

- Significant dissipation of energy during earthquakes leading to an optimized structure size and reduced structure cost
- Combined transfer of service and seismic loads leading to minimal space requirement for the devices
- Effective solution for a wide range of types of structures
- Effective solution for the retrofitting or upgrading of existing structures
- Re-centering capabilities of bearings after a seismic event allows the serviceability of the structure to be maintained
- Well researched technology with several decades of track record for many applications worldwide



1 Testing of LASTO®HDRB bearing
 2 Installed LASTO®HDRB bearing
 3 Martigny bridge, Switzerland, retrofitted with LASTO®HDRB bearings



Seismic devices

Quality & Support

Quality

For five decades, mageba bearings have proven their worth in thousands of structures under the most demanding conditions. In addition to the product properties, the extensive experience of mageba's well-qualified manufacturing and installation staff also contributes to the high quality and durability of the products.

mageba has a process-orientated quality system. In addition, its quality is regularly inspected by independent testing institutes. mageba factories are AISC certified for Major Bridges (CPT, STD, SPE) and also maintain AWS certifications for D1.1 and D1.5.

Certification

mageba LASTO®HDRB high density rubber bearings are designed and manufactured in accordance with "AASHTO Guide Specification for Seismic Isolation Design".

Alternatively, LASTO®HDRB high density rubber bearings can be also designed and manufactured in accordance with European Standard EN 15129 and with EN 1337. Bearings are then marked with the CE mark of conformity, which confirms that they satisfy all requirements of this standard, without exception.

All necessary type testing performed on LASTO®HDRB devices are carried out at an independent testing facility and fully supervised by a certified body.

Testing

If required by the client, full-scale factory production control testing can be carried out. mageba performs the tests in-house as well as with independent 3rd party test institutes. Commonly performed tests are based on AASHTO "Guide Specifications for Seismic Isolation Design" or European Standard EN 15129:2009. Upon request, customized testing based on other codes can also be performed.

Customer Support

Our product specialists will be glad to advise you in selection of the optimal solution for your project, and to provide you with a quotation.

On our website, mageba-group.com, you can find further product information, including reference lists and tender documentation.

Reference Projects for mageba Seismic Devices



Awaza Bridge (TM)



Flendruz (CH)



Langenargen (DE)



Ramstore Bridge (KZ)



Agin Bridge (TR)



Vasco da Gama Bridge (PT)

mageba Seismic Devices



RESTON®SA & STU



RESTON®PSD



RESTON®PENDULUM



LASTO®LRB & HDRB

mageba
mageba-group.com

engineering connections®